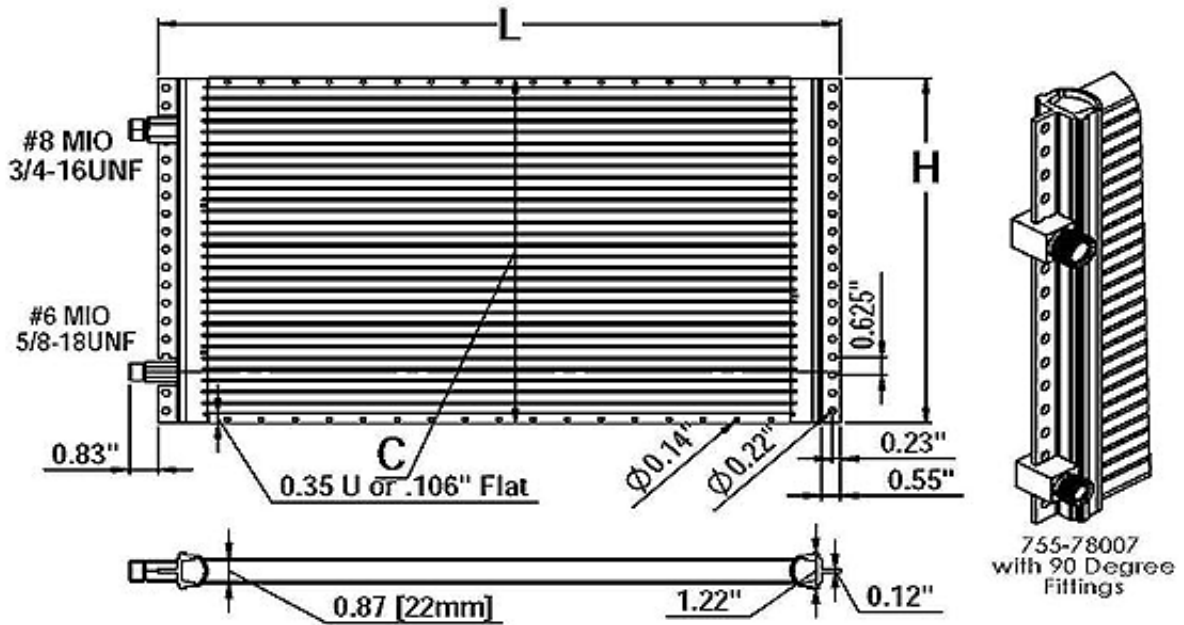




**Phoenix Mobile Air, Inc.**  
 2320 Apollo Circle,  
 Carrollton, Texas, USA 75006  
 PHONE : 972-418-6444  
<https://www.phoenixmobileair.com/>  
[sales@phoenixmobileair.com](mailto:sales@phoenixmobileair.com)



### Condensers - Universal Parallel Flow Heavy Duty

Part Number	Size (inches)	H- Height (mm)	L- Length (mm)	Core Ht (mm)	Plate	Passes
755-78001	12 x 20	304.8	510.0	304.8	U Channel	4
755-78002	14 x 20	355.8	510.0	355.7	U Channel	4
755-78003	14 x 22	355.8	552.45	355.7	U Channel	4
755-78004	14 x 24	355.8	609.6	355.7	U Channel	4
755-78005	14 x 26	355.8	654.0	355.7	U Channel	4
755-78006	12 x 22	304.8	552.45	304.8	U Channel	4
755-78007	11 x 25	272.8	619.8	260.8	Flat Plate	4
755-78008	16 x 30	394.7	456.9	395.7	U Channel	4
755-78009	20 x 28	494.8	696.9	495.7	U Channel	4
755-78010	12 x 18	304.0	456.7	295.7	U Channel	4
755-78013	11 x 26	272.8	654.0	260.8	Flat Plate	4
755-78014	12 x 26	304.0	654.0	295.7	U Channel	4
755-78015	16 x 26	394.8	654.0	391.0	Flat Plate	4
755-78016	20 x 30	494.8	456.9	480.8	Flat Plate	4
755-78017	16 x 27	394.8	685.8	380.8	Flat Plate	4
755-78018	16 x 24	395.0	609.6	380.8	Flat Plate	4
755-78020	12 x 14	304.8	355.7	304.8	U Channel	4
755-78021	14 x 14	356.0	355.8	356.0	U Channel	4
755-78022	18 x 18	456.7	456.7	451.9	U Channel	4
755-78023	16 x 18	406.2	445.4	406.2	U Channel	4

**Features : 8mm Louvered Fins @ 14FPI.**

**Leak tested, clean, capped, nitrogen charged and individually boxed.**

**All Condensers have #8 MIO & #6 MIO straight fittings except for 755-78007 which has 90 degree fittings.**